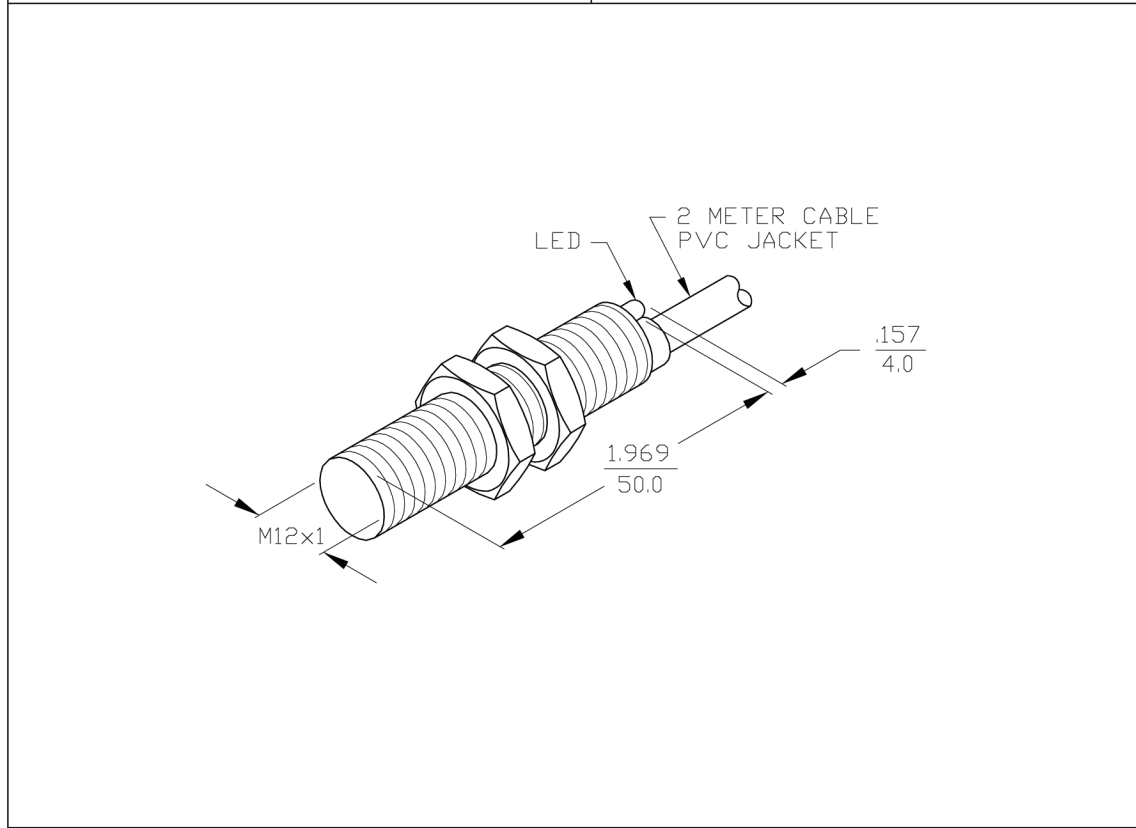
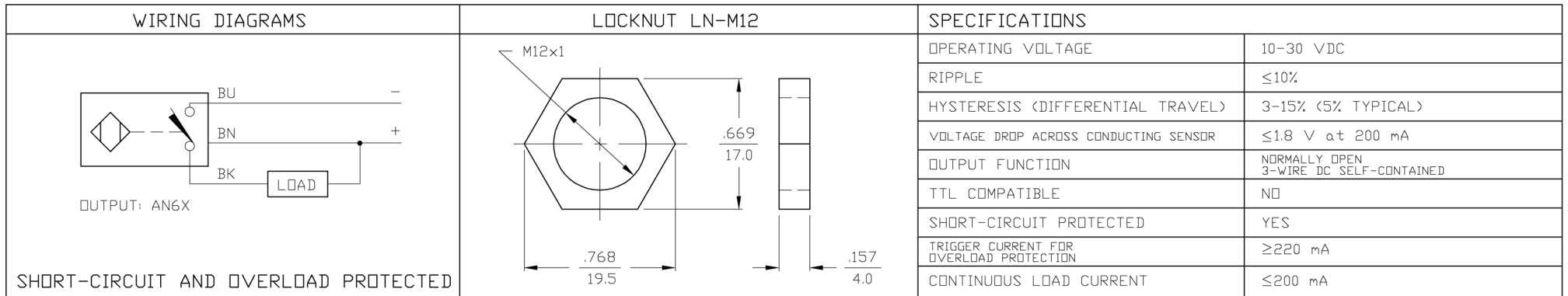


3-Wire DC

| | |
|---|---|
| Ripple. | ≤10% |
| Differential Travel (Hysteresis). | 3-15% (5% typical) |
| Voltage Drop Across Conducting Sensor. | ≤1.8 V |
| | - Si...K08/K10(AP71, AN7) . ≤0.7 V |
| | - Bi/Ni../S34 ≤1.8 V |
| | - Bi 2-Q8SE-AP/AN.. . . . ≤2.5 V |
| Trigger Current for Overload Protection | ≥220 mA on 200 mA Load Current |
| | ≥170 mA on 150 mA Load Current |
| | ≥120 mA on 100 mA Load Current |
| Off-State (Leakage) Current | <100 µA |
| No-Load Current | <10 mA (Uprox ≤15 mA) |
| Time Delay Before Availability | ≤8 ms |
| Power-On Effect | Per IEC 947-5-2 |
| Reverse Polarity Protection | Incorporated |
| Wire-Break Protection | Incorporated |
| Transient Protection. | Per EN 60947-5-2 |
| Shock. | 30 g, 11 ms |
| Vibration | 55 Hz, 1 mm Amplitude in all 3 Planes |
| Repeatability | ≤2% of Rated Operating Distance |
| | Bi 2-Q8SE-AP/AN.. ≤5% of Rated Operating Distance |

4-Wire DC

| | |
|---|---------------------------------------|
| Ripple. | ≤10% |
| Differential Travel (Hysteresis). | 3-15% (5% typical) |
| Voltage Drop Across Conducting Sensor. | ≤1.8 V at 200 mA |
| Trigger Current for Overload Protection | ≥220 mA on 200 mA Load Current |
| | ≥170 mA on 150 mA Load Current |
| | ≥120 mA on 100 mA Load Current |
| Off-State (Leakage) Current | <100 µA |
| No-Load Current | <10 mA (Uprox ≤15 mA) |
| Power-On Effect | Per IEC 947-5-2 |
| Reverse Polarity Protection | Incorporated |
| Wire-Break Protection | Incorporated |
| Transient Protection. | Per EN 60947-5-2 |
| Shock. | 30 g, 11 ms |
| Vibration | 55 Hz, 1 mm Amplitude in all 3 Planes |
| Repeatability | ≤2% of Rated Operating Distance |



| | |
|--------------------------------|---|
| OFF-STATE (LEAKAGE) CURRENT | <10 μA |
| NO-LOAD CURRENT | 5.5-9.5 mA |
| TIME DELAY BEFORE AVAILABILITY | ≤8 ms |
| POWER-ON EFFECT PROTECTION | INCORPORATED |
| REVERSE POLARITY PROTECTION | INCORPORATED |
| WIRE-BREAK PROTECTION | INCORPORATED |
| PROTECTION AGAINST TRANSIENTS | 2 kV, 1 ms, 1 kΩ |
| OPERATING TEMPERATURE | -25°C to +70°C (-13°F to +158°F) |
| ENCLOSURE | MEETS NEMA 1, 3, 4, 6, 13 AND IEC IP67 |
| SHOCK | 30 g, 11 ms |
| VIBRATION | 55 Hz, 1 mm AMPLITUDE (IN ALL 3 PLANES) |
| LED FUNCTION | RED: OUTPUT ENERGIZED |
| SENSING RANGE | 2 mm = .079" (NOMINAL) |
| SWITCHING FREQUENCY | 2000 Hz |
| REPEATABILITY | ≤2% of RATED OPERATING DISTANCE |
| EMBEDDABLE (SHIELDED) | YES |

| | | | | |
|--|--------------------|--------------------------------------|--------------------------|------------------|
| MATERIAL BRASS BARREL | | 3RD ANGLE PROJECTION | | TURCK INC |
| FINISH COPPER/NICKEL/ CHROME PLATING | | | | |
| DRWN GMB | DATE 2/6/91 | PART NO. Bi2-G12-AN6X 50MM | | |
| CHKD | DATE | SIZE B | ID NO. 4635500 | REV |
| DIMENSIONS ARE IN INCHES mm | | SCALE NONE | BMPC-D\4635500 | SHEET OF |

| REV | DESCRIPTION | DRFT | DATE | CHKD |
|-----------|-------------|------|------|------|
| REVISIONS | | | | |